

2 GD ATEX SCALES Guide



DINI ARGEO
Scales - Weighing systems

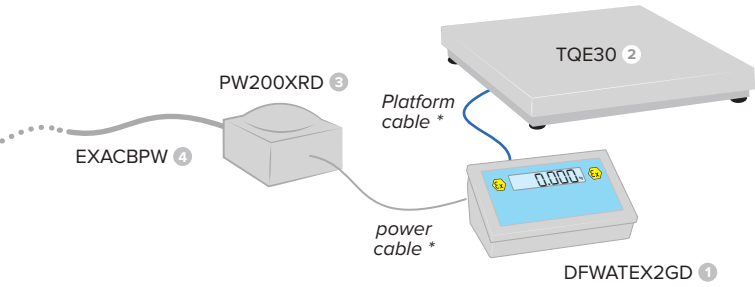


www.diniargeo.com

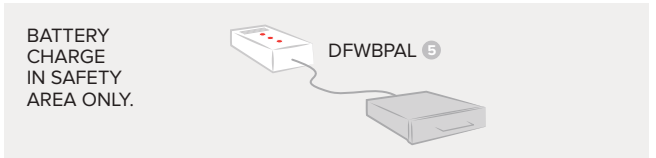
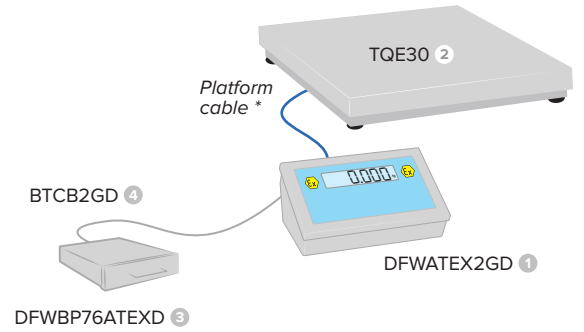


EX 2GD | Bench scales

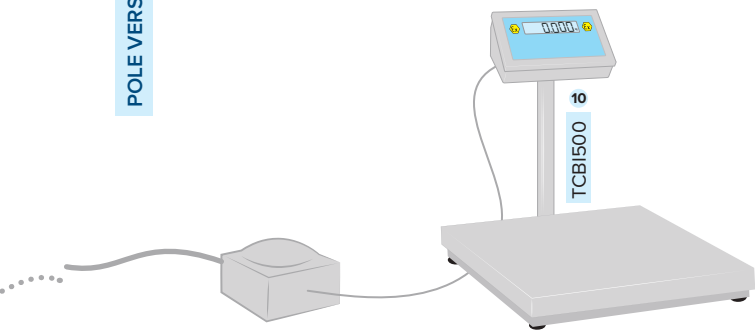
MAINS VERSION



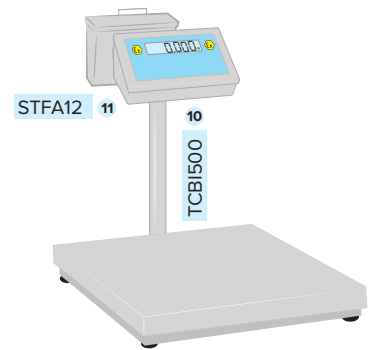
BATTERY VERSION



POLE VERSION



POLE VERSION



	CODE (example)	QTY
1	DFWATEX2GD	1
2	TQE30	1
3	PW200XRD	1
4	EXACBPW	n
5	CCATEX	1
6	DCATEX2GD	1
7	DINICAL	1
8	ECEM **	1
9	S6	1

POLE VERSION

10	TCBI500	1
----	---------	---

	CODE (example)	QTY
1	DFWATEX2GD	1
2	TQE30	1
3	DFWBP76ATEXD	1
4	BTCB2GD	1
5	DFWBPAL	1
6	CCATEX	1
7	DCATEX2GD	1
8	DINICAL	1
9	ECEM**	1

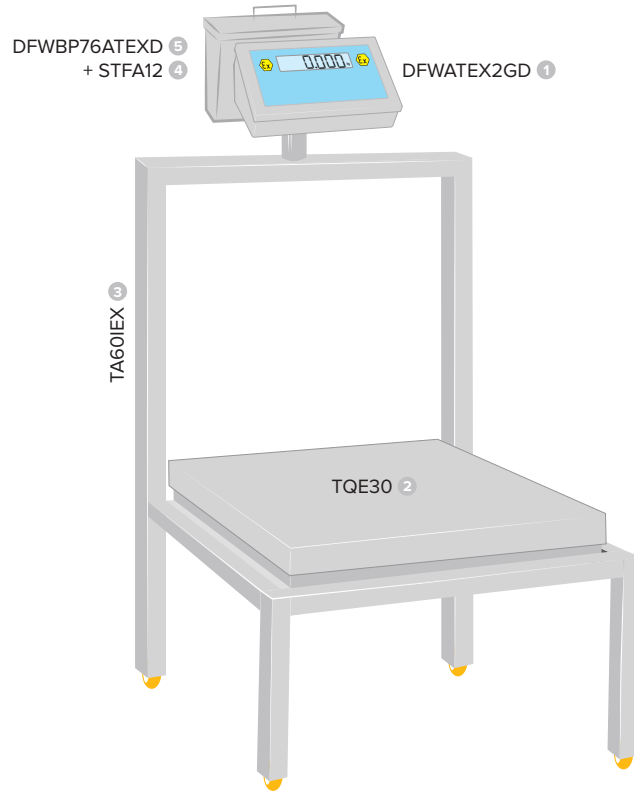
POLE VERSION

10	TCBI500	1
11	STFA12	1

* These cables are provided as standard ** Only for legal for trade approved version



EX 2GD | Bench scales mobile version



	CODE (example)	QTY
1	DFWATEX2GD	1
2	TQE30	1
3	TA60IEX	1
4	STFA12	1
5	DFWBP76ATEXD	1
6	BTCB2GD	1
7	DFWBPAL	1
8	CCATEX	1
9	DCATEX2GD/DCATEX2GDB*	1
10	DINICAL	1
11	ECEM**	1

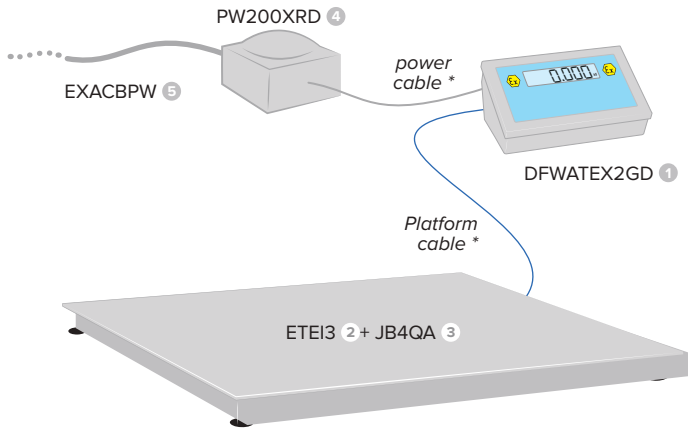
* For a IIC cart is required a DCATEX2GD, for a IIB cart is required DCATEX2GDB

** Only for legal for trade approved version

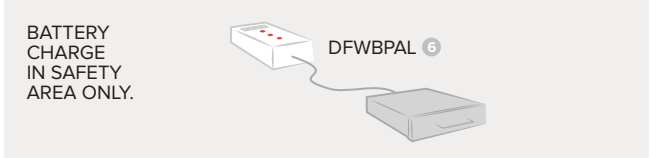
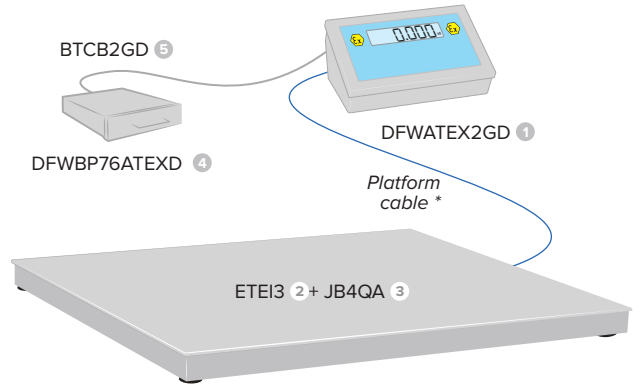


EX 2GD | Floor Scales

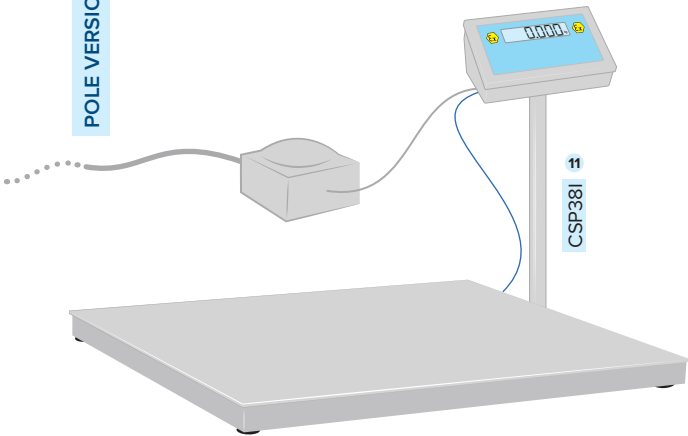
MAINS VERSION



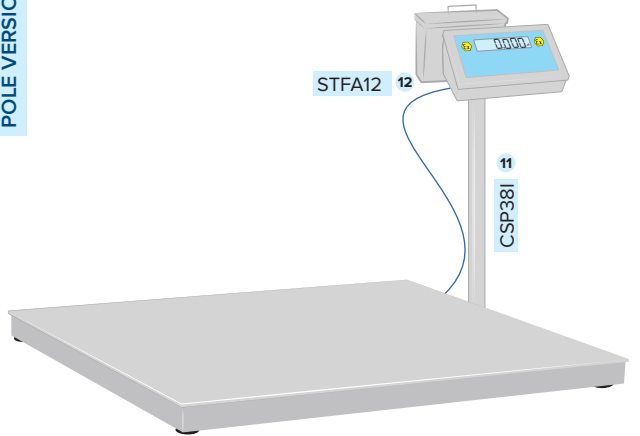
BATTERY VERSION



POLE VERSION



POLE VERSION



	CODE (example)	QTY
1	DFWATEX2GD	1
2	ETEI3	1
3	JB4QA	1
4	PW200XRD	1
5	EXACBPW	n
6	CCATEX	4
7	DCATEX2GD	1
8	DINICAL	1
9	ECEM**	1
10	S6	1

POLE VERSION

11	CSP38I	1
----	--------	---

	CODE (example)	QTY
1	DFWATEX2GD	1
2	ETEI3	1
3	JB4QA	1
4	DFWBP76ATEXD	1
5	BTCB2GD	1
6	DFWBPAL	1
7	CCATEX	4
8	DCATEX2GD	1
9	DINICAL	1
10	ECEM**	1

POLE VERSION

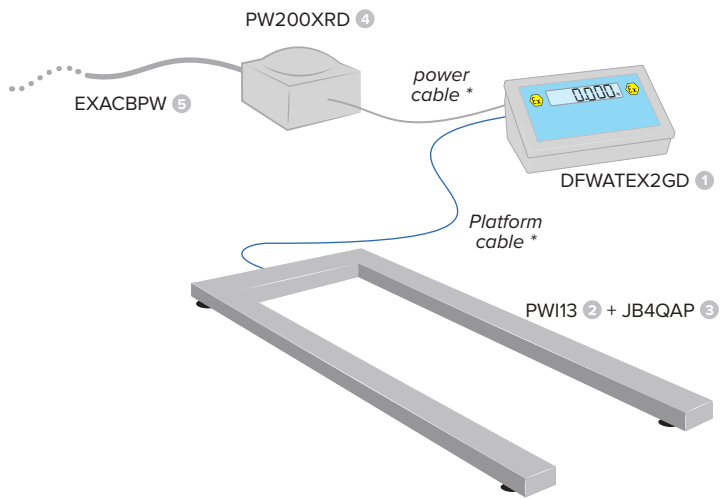
11	CSP38I	1
12	STFA12	1

* These cables are provided as standard ** Only for legal for trade approved version

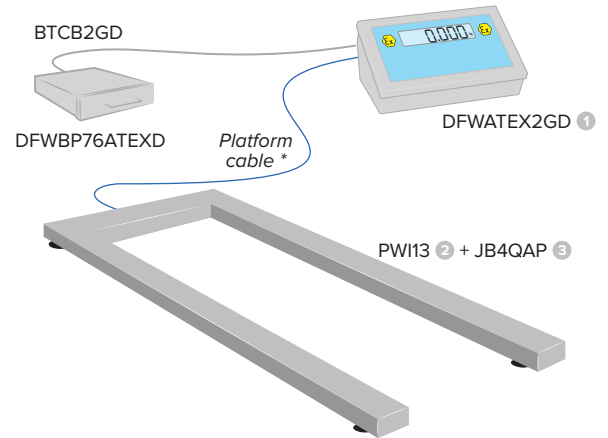


EX 2GD | Pallet Weigher

MAINS VERSION

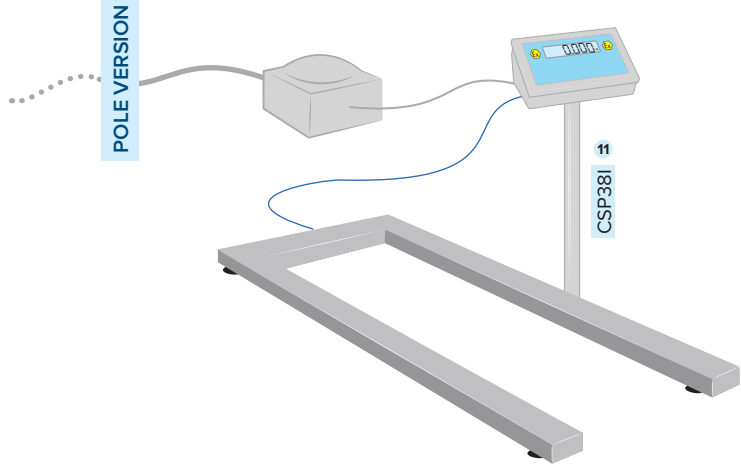


BATTERY VERSION

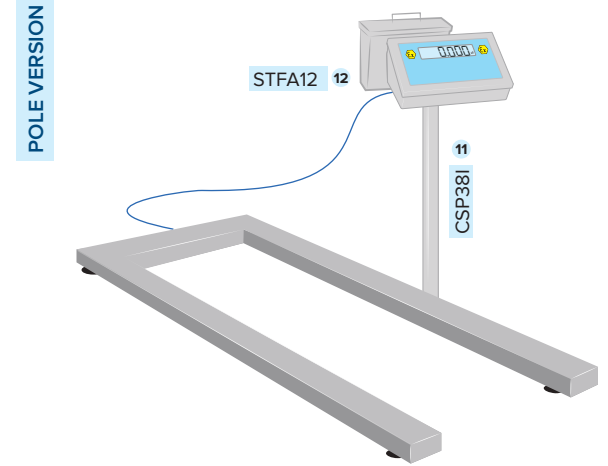


BATTERY CHARGE IN SAFETY AREA ONLY.

POLE VERSION



POLE VERSION



	CODE (example)	QTY
1	DFWATEX2GD	1
2	PWI3	1
3	JB4QAP	1
4	PW200XRD	1
5	EXACBPW	n
6	CCATEX	4
7	DCATEX2GDIIB	1
8	DINICAL	1
9	ECEM**	1
10	S6	1

POLE VERSION

11	CSP38I	1
----	--------	---

	CODE (example)	QTY
1	DFWATEX2GD	1
2	PWI3	1
3	JB4QAP	1
4	DFWBP76ATEXD	1
5	BTCB2GD	1
6	DFWBPAL	1
7	CCATEX	4
8	DCATEX2GDIIB	1
9	DINICAL	1
10	ECEM**	1

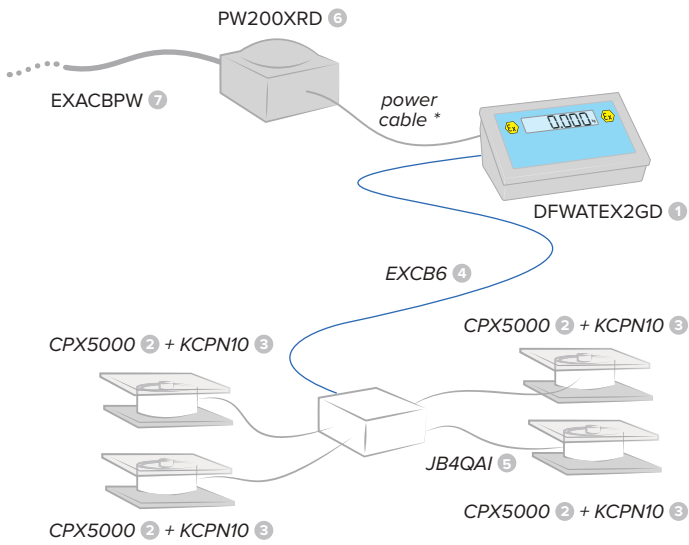
POLE VERSION

11	CSP38I	1
12	STFA12	1

* These cables are provided as standard ** Only for legal for trade approved version

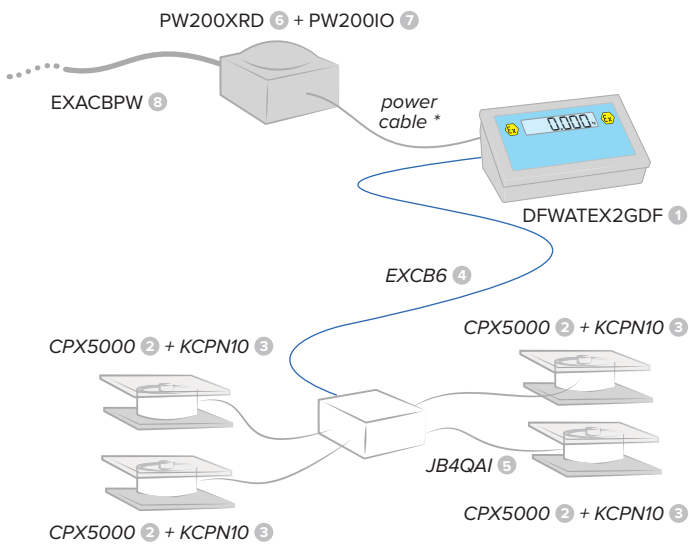


EX 2GD | Silos weighing



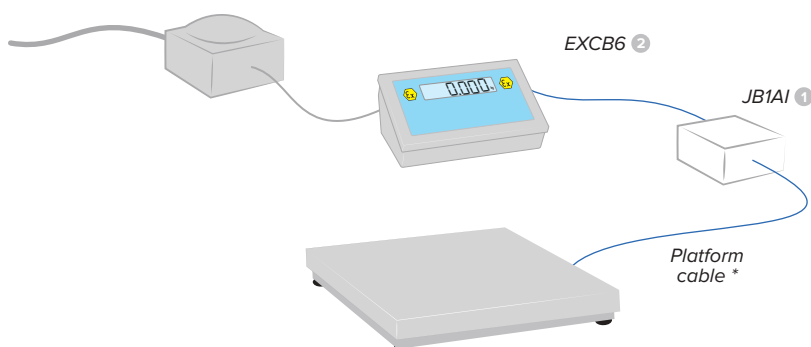
	CODE (example)	QTY
1	DFWATEX2GD	1
2	CPX5000	4
3	KCPN10	4
4	EXCB6	n
5	JB4QAI	1
6	PW200XRD	1
7	EXACBPW	n
8	CCATEX	4
9	DCATEX2GD	1
10	S6	2

EX 2GD | Silos batching



	CODE (example)	QTY
1	DFWATEX2GDF	1
2	CPX5000	4
3	KCPN10	4
4	EXCB6	n
5	JB4QAI	1
6	PW200XRD	1
7	PW200IO	1
8	EXACBPW	n
9	CCATEX	4
10	DCATEX2GD	1
11	S6	2

EX 2GD | Cable extension

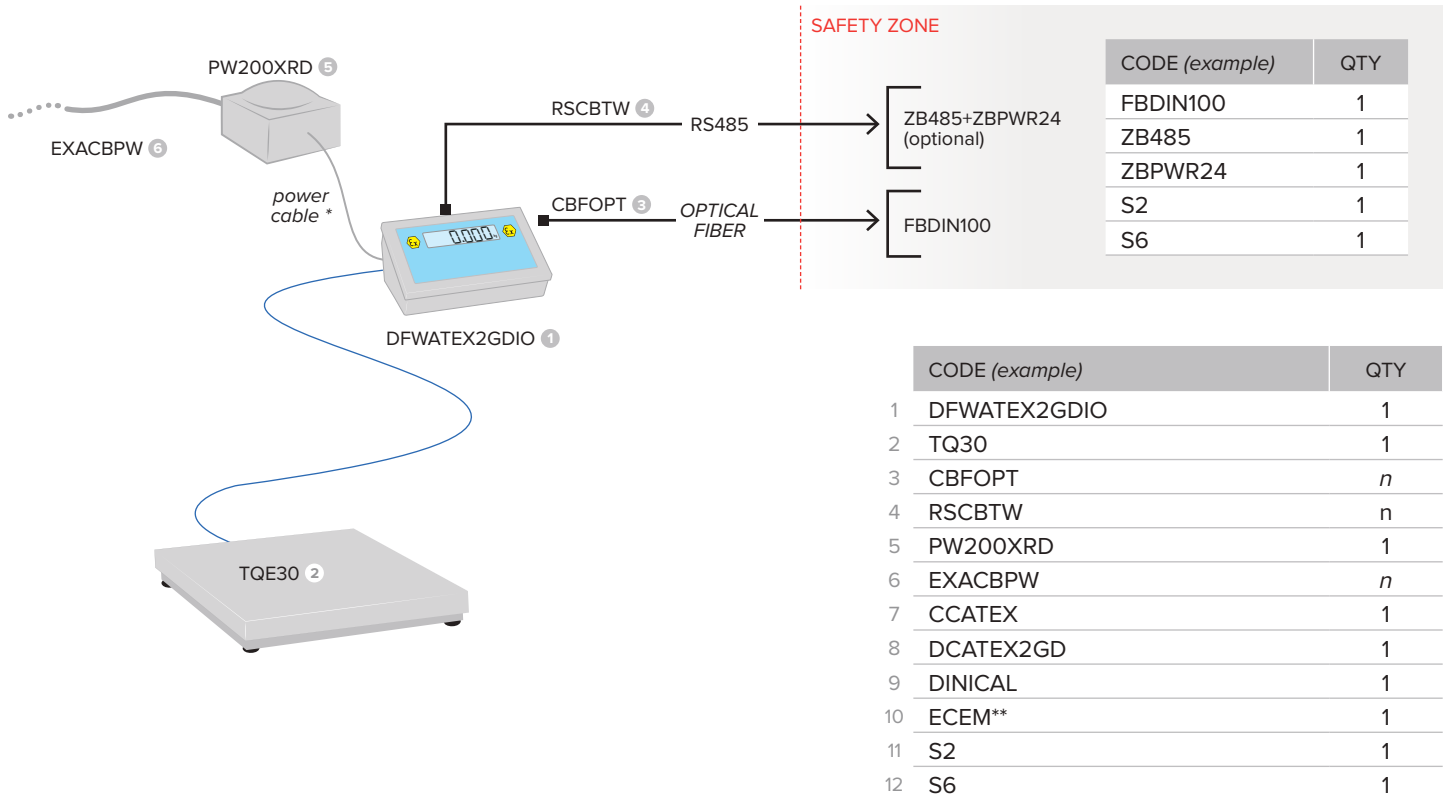


	CODE (example)	QTY
1	JB1AI	1
2	EXCB6	n
3	S6	

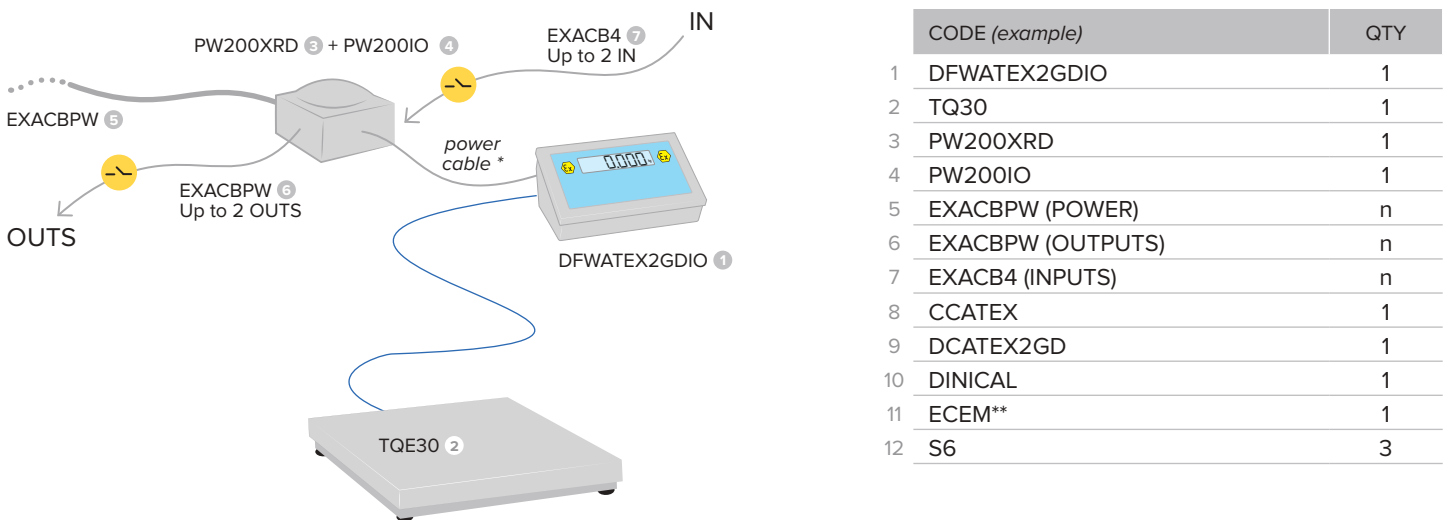
* These cables are provided as standard ** Only for legal for trade approved version



EX 2GD | Optical fiber communication



EX 2GD | 2 Inputs / 2 Outputs



“YOUR WORLDWIDE PARTNER FOR WEIGHING”



A RICE LAKE WEIGHING SYSTEMS COMPANY

COMPANY HEADQUARTERS

Via Della Fisica, 20
41042 Spezzano di Fiorano - Modena - Italy
Tel. +39.0536 843418

SERVICE ASSISTANCE

Via Dell'Elettronica, 15
41042 Spezzano di Fiorano - Modena - Italy
Tel. +39.0536 921784

OTHER DINI ARGEO LOCATIONS

DINI ARGEO WEIGHING INSTRUMENTS Ltd
China

DINI ARGEO UK Ltd
United Kingdom

DINI ARGEO FRANCE sarl
France

DINI ARGEO GMBH
Germany

WHY CHOOSE DINI ARGEO?



WORLDWIDE SERVICE AND SHIPPING

International group with offices in America, Europe, India, China, Mexico and Oceania, over 900 employees and a network of specialised partners in 130 countries worldwide.



FAST SHIPPING

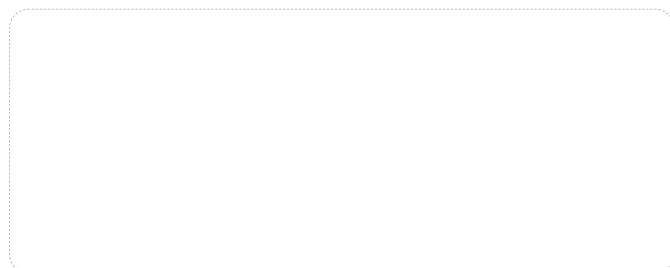
Dini Argeo always keeps complete systems in stock that can be shipped quickly.



MADE IN ITALY

Dini Argeo weighing solutions are made in Italy and guarantee the highest quality standards.

SALES SERVICE AND TECHNICAL ASSISTANCE



Mod **2GDATEX-CEN**

P/N
2GDATEX-CEN

Sn
NOSN

2GDATEX-CEN/NOSN

Rev. 01.03.2023