

# Belt Scales

IN-MOTION BELT SCALE SOLUTIONS



**RICE LAKE**<sup>®</sup>  
WEIGHING SYSTEMS

[www.ricelake.com](http://www.ricelake.com)

# Belt Scales

## Keep Production Moving with In-Motion Belt Scale Systems

Belt scales are the most accurate and efficient way to measure material flow on a conveyor belt and can also be used for product dosing. A belt scale consists of a weigh frame with one or more load cells, a speed sensor and a weigh processor. The weigh processor converts data received from the load cell and speed sensor into a total and weight per hour.

The selection of a weigh frame and speed sensor is determined by the required accuracy, as well as belt speed, inclination and structure of the transport belt.

Rice Lake Weighing Systems offers a broad selection of durable and accurate belt scales. With six different models to choose from, Rice Lake belt scales provide a solution for nearly every application, including food, recycling, chemical, steel, animal feed and compost production, sand and gravel quarries, and harbor logistics industries.



## BS221DB

The BS221DB Master™ belt scale weigh frame consists of two arms equipped with a pivot and a load cell mounted to the side supports of the conveyor belt. The idler, or weighing roller, is mounted on top of the frame arms. The BS221DB provides simple assembly and accessibility for service. Suitable for most belt widths and capacities, the 221DB is a versatile solution for many applications.

### Standard Features

- Weigh frame is mounted on outside of conveyor
- Minimum modifications to conveyor are required
- Service friendly
- Friction-free pivot supports
- Two support beams
- Fits standard conveyors—mounts with four bolts per assembly

### Options

- Galvanized or stainless construction

### Applications

- Medium to heavy capacity

### Specifications

<b>Conveyor Width:</b>	500 mm-2.400 mm
<b>Capacity:</b>	3.300 tons per hour
<b>Maximum Belt Speed:</b>	4 m/s
<b>Inclination:</b>	Maximum 25 degrees
<b>Material:</b>	Powder coated mild steel
<b>System Accuracy</b>	0,5-1%
<b>Load Cell:</b>	RLHBB: 50 kg, 100 kg, 200 kg
<b>Junction Box:</b>	JB4SS
<b>Warranty:</b>	One-year limited warranty



## BS311M

Consisting of an idler or weighing roller placed on a simple load cell beam, the BS311M Master belt scale weigh frame is a cost effective solution. Suitable for belt widths up to 1.500 mm and belt speeds up to 2 meters per second, the BS311 frame is often used for belts that can regulate the capacity of a bulk flow using the measured value and a controlled belt speed.

### Standard Features

- Semi-modular weigh frame design
- Weigh frame without moving parts
- Fits standard conveyors
- Mounts with four bolts
- Requires weigh frame cutting for proper fit
- Minimum modifications to conveyor required

### Options

- Galvanized or stainless construction
- Custom widths available

### Applications

- Mining, quarries, bulk material blending, process control and retrofit

### Specifications

<b>Conveyor Width:</b>	1.500 mm max
<b>Capacity:</b>	1.500 tons per hour
<b>Belt Speed:</b>	Maximum 2 m/s
<b>Inclination:</b>	Maximum 12 degrees
<b>Material:</b>	Powder coated mild steel
<b>System Accuracy:</b>	1%
<b>Load Cell:</b>	RL1250: 50 kg, 100 kg, 250 kg
<b>Warranty:</b>	One-year limited warranty



## BS211

The BS211 Master belt scale weigh frame consists of an inner frame mounted with two friction-free pivots to one end of the scale. The load cell is located on the opposite end with the idler mounted on the inner frame. The friction-free pivots absorb tensile stress in a horizontal direction, creating a very solid weigh frame well-suited for heavy-duty applications.

### Standard Features

- Friction-free pivot points
- One load cell carrier beam
- Fits standard conveyors
- Custom built for each application

### Options

- 304/316 stainless steel
- Dual load cells

### Applications

- Medium to heavy capacity, mining and agriculture

### Specifications

**Conveyor Width:**

500 mm to 2.000 mm

**Capacity:**

3.000 tons per hour

**Maximum Belt Speed:**

4 m/s

**Maximum Inclination:**

25 degrees

**Material:**

Powder coated mild steel

**System Accuracy:**

0,5%

**Load Cell:**

RL20001 alloy steel, s-beam (capacity selected from application)

**Warranty:**

One-year limited warranty

## BS143

Weigh three idlers on an inner frame, supported by four load cells with the BS143 Master belt scale weigh frame. This creates an incredibly accurate belt scale qualified for high capacities and belt speeds. The BS143 is often used in mining and aggregate applications. The frame is custom made using the specifications of the conveyor belt, making it suitable for different belt conveyor models.

### Standard Features

- Custom built for each application
- Fits standard conveyors
- Multiple idler design
- Inner frame has free-floating platform

### Options

- 304 stainless steel
- Two, three, or four weigh idlers

### Applications

- Medium to heavy capacity, mining and aggregate

### Specifications

**Conveyor Width:**

500 mm to 3.000 mm

**Capacity:**

20.000 tons per hour

**Belt Speed:**

7 m/s

**Inclination:**

25 degrees

**Material:**

Powder coated mild steel

**System Accuracy:**

0,25%

**Load Cell:**

RL20001 alloy steel s-beam (capacity selected from application)

**Warranty:**

One-year limited warranty

## BS421

The BS421 Master belt scale weigh frame is specifically designed for high volume, low density applications where belt load and belt speed are moderate. Ideal for flat belt conveyors, the BS421 features two BM11 bending beams and hermetically sealed load cells mounted to adjusting strings on the outside of the conveyor stringers to create a stable base. The BS421 master belt scale is also available for hazardous and explosive areas.

### Standard Features

- Ideal for flat belt conveyors
- Roller supported on both sides by load cells
- Open design for easy cleaning

### Applications

- Light capacity, food production and light granular materials

### Specifications

**Conveyor Width:**

300 mm to 1.600 mm

**Capacity:**

30 tons per hour

**Belt Speed:**

2 m/s

**Inclination:**

10 degrees

**Material:**

Powder coated mild steel or 304 / 316 stainless steel

**System Accuracy:**

0,5%

**Load Cell:**

RLHBB single ended beam in 10, 20 or 50 kg capacities

**Warranty:**

One-year limited warranty

# Belt Scales



## BCi Weigh Frame

Experience durability and accuracy with Rice Lake's rugged BCI belt scale weigh frame. Built to last, the BCI is one of the most accurate belt scales in its class. Ideal for mining, quarries, bulk material blending, process control operations and load-out applications, the BCI easily handles capacities up to 10.000 tons per hour with unsurpassed accuracy.

### Applications

- Mining, quarries, bulk material blending, process control, utilities, truck/ barge/rail loading and retrofit

### Specifications

**Conveyor Widths:**

450 mm-1.800 mm

**Capacity:**

Up to 10.000 tons per hour

**Belt Speed:**

Up to 7 m/s

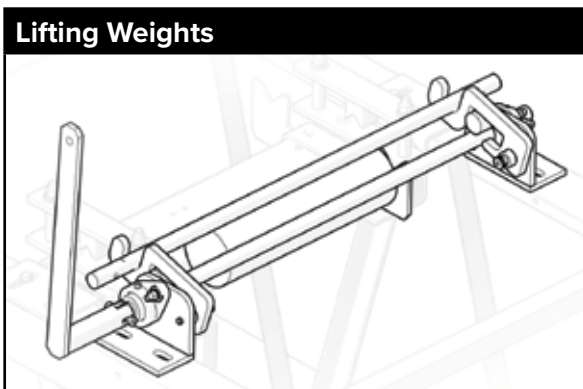
**System Accuracy:**

Single and two idler system: 0,5%-1% total error

Three and four idler system: <0,5% total error

**Accuracy Guidelines:**

Guidelines assume clean belt with automatic tensioning system. Accuracy guidelines are typical. System accuracy may vary depending on environmental influences.



\*Custom lifting weights available upon request.



## 882D

Specifically designed for belt scales, the 882D belt scale integrator delivers the required data in a compact package. Featuring iRite™ programmability, it can be customized to control product dosing or manage metering. The 882D's backlit display makes viewing rate, speed and time convenient in almost any lighting condition. The 882D is also protected from the weather in an IP66 stainless steel enclosure, making it ideal for use in harsh environments.

### Standard Features

- LCD display, seven-digit, seven-segment weight display, 3 x 20 pixelated prompt area
- RS-232 or RS-485 serial port
- USB device port connects directly to a PC
- Ethernet TCP/IP polled or continuous
- AC or DC models
- Hardware slot for two option cards
- Operator functions through menu key for audit trail, preset tare, accumulator, time/date and setpoints
- Audit trail tracking for configuration and calibration changes
- Password protection for user and configuration changes
- Setpoints for control and alarms
- Four onboard digital I/O channels
- Four programmable ticket formats up to 1.000 characters
- Filter settings for light, medium and heavy noise
- Speed inputs

### Specifications

**Analog Output:**

16-bit resolution, 0-10 VDC, 0-20 mA, 4-20 mA

**Relay Board:**

Four dry contact relays; DC Max: 30 VDC at 3 amps  
AC max: 250 VAC at 3 amps per contact

**EtherNet/IP Interface:**

According to EN 50325-2

**PROFINET Interface:**

According to IEC 61784 (CPF-3/3)

**Modbus/TCP Interface:**

Up to 8 bytes of I/O data, 100 Mbps full duplex Ethernet

**DeviceNet Interface:**

According to EN 50325-2

**Profibus DP® Interface:**

According to EN 50170

**EtherCAT:**

According to IEEE 802.3

**Digital I/O:**

24 channel I/O expansion boards available

**Approvals:**

CE Marked  
UL/c-UL Listed

SALES AND TECHNICAL ASSISTANCE

**EUROPE OFFICE**

Via Della Fisica, 20  
41042 Fiorano Mod.se (MO) - Italy  
Tel. +39 0536 843418  
[www.diniargeo.com](http://www.diniargeo.com)

**HEADQUARTERS**

230 West Coleman Street  
Rice Lake, Wisconsin 54868 - USA  
Tel: (715) 234 9171 | Fax: (715) 234 6967  
[www.ricelake.com](http://www.ricelake.com)